

QA750A SERIES ON-BOARD SEAL CHARGER

This series chargers design of sealed structure. It suitable for flooded lead- acid batteries, sealed lead acid batteries, Lithium batteries, NI-MH batteries, Nickle Cadmium batteries, etc. They ate used to cycle charge or floating charge battery pack in Electric Surfboards, Electric Aerial Work Platforms, forklifts, Floor Scrubber, AGV, Electric Motorcycles, Walk-behind Mowers, Electric Vehicles, Mobile Industry Robots, Electric Sweepers etc.

Models	Rated Voltage for Battery Pack	Max Output Voltage	Max Output current	CV			Transition/cut-off Current
				Lead Acid	Li-ion	LiFePO4	Li
QA750A-12V25A	12V	17V	25A	14.7V	12.6V	14.6V	3.0A
QA750A-24V25A	24V	34V	25A	29.4V	29.4V	29.2V	3.0A
QA750A-36V18A	36V	47V	18A	44.1V	42.0V	43.8V	2.0A
QA750A-48V15A	48V	66V	15A	58.8V	54.6V	58.4V	2.0A



TECHNOLOGY PARAMETERS

- AC Input Voltage Range : 185-270VAC; 45-63Hz
- AC Input Max Current : [3.0A@220VAC](#)
- Efficiency: $\geq 92.0\%$
- Power Factor : ≥ 0.99
- Noise : $\leq 45\text{dB}$
- Protection level : IP65

SAFFTY

- Active LLC technique is applied for a rapid respond on a fault; Quick active software self -protection and reliable passive hardware self-protection on VOLTAGE&CURRENT; Advanced charging strategy is integrated as a safeguard for battery system.

RELIABILITY

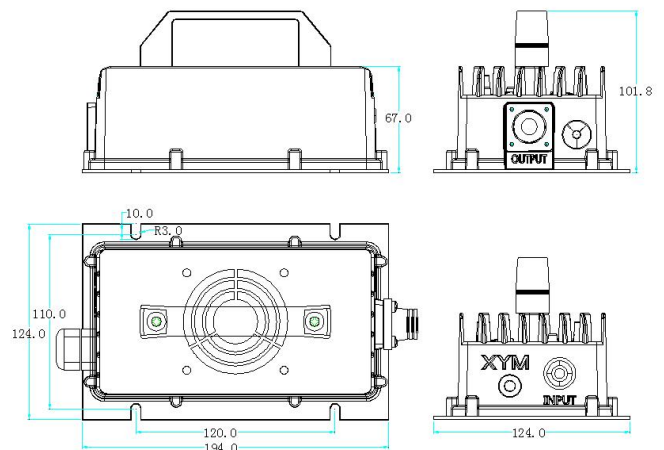
- The shell is shaped by integrated die casting technique. And filled with special glue. The active cooling fan is also designed to be a fan with a potting structure and a longer life. Products of Charger Series have been operating in all kinds of industrial environment (Wet. Hot. Cold. High altitude) for more than ten years, the design is proved to pass the verification.

FUCTIONS

Triple Colors Indicator is compatible. Vehicle Charging Lock System is compatible. Integrated with an auxiliary power supply for 12V. Meet common standards of charge for EV.

SIZE AND WEIGHT&TEMPERATURE

- Net Weight: 1.7kg
- Operating Temperature: -30°C — 65°C
- Storage Temperature: -40°C — 95°C
- Size: 193*124*67



PROTECTION FUNCTIONS

- Burnout Protection: Temperature of charger exceeds the limitation. The charge will low down the power load. Temperature of environment exceeds 65°C , the charger will stop charging and switch itself to standby mode until temperature of environment goes down.
- Protection for Reverse Connection of Batteries: The circuit inside the charger shuts down with batteries when the batteries are connected reversely and will not damage the charger.
- NO-load Protection: There is no output when the batteries are not connected.
- Short Circuit Protection: The circuit inside the charger shuts down with batteries when output is short circuit. The charger will start charging only after troubleshooting and restart the charger.
- Automatic shutdown when fully charging: The charging automatically turns off after the battery is fully charged according to the charger's judgment.